

F&B PRO

THE MARKET STANDARD FOR THE
FOOD INDUSTRY FROM MURRELEKTRONIK

The F&B range of plug connectors from Murrelektronik was specifically designed for use in the food industry.

Features such as high chemical resistance, excellent cleanability, and drag chain capability (bending and torsion) allow the PP lines to be used in all food production areas.

Perfect for the food industry

- UL-approved
- FDA-compliant materials (EU) 10/2011, EC 1935/2004
- Wide temperature range from -40 °C to +105 °C
- Hygienic design based on EHEDG specifications
- Halogen-free
- Resistant to UV radiation according to DIN EN ISO 4892-2A (2013) and to OZONE according to ISO 1431-1 A
- Sealed according to protection classes IP65, IP66K, IP67, IP68 and IP69K
- Coloring for easy detection of foreign bodies
- V4A stainless steel screw connection (1.4404)
- Highly flexible cable for 5 million bending cycles and 2 million torsion cycles
- Tested chemical resistance

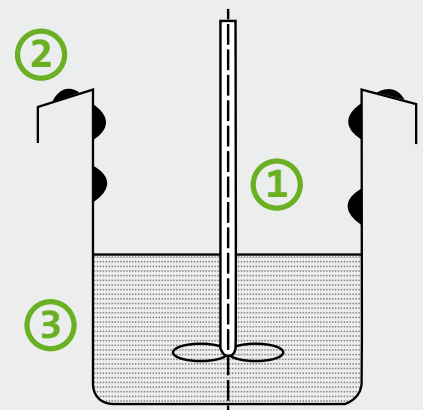


Machine areas

as defined in DIN EN 1672-2 and ISO 14159

- ① Food zone
- ② Spray zone
- ③ Non-food zone or dry zone

Zones 1 and 2 must be designed in accordance with the same Hygienic Design Principles.



Unshielded

Free conductor end	Art. No.
M12 male connector, 3-pin, straight	7024-12001-315xxxx
M12 male connector, 4-pin, straight	7024-12021-321xxxx
M12 male connector, 5-pin, straight	7024-12041-339xxxx 7024-12041-365xxxx
M12 male connector, 8-pin, straight	7024-17001-312xxxx
M12 male connector, 3-pin, angled	7024-17081-315xxxx
M12 male connector, 4-pin, angled	7024-17101-321xxxx
M12 male connector, 5-pin, angled	7024-12121-339xxxx 7024-12121-365xxxx
M12 male connector, 8-pin, angled	7024-17021-312xxxx
M12 female connector, 3-pin, straight	7024-12321-315xxxx
M12 female connector, 4-pin, straight	7024-12341-321xxxx
M12 female connector, 5-pin, straight	7024-12361-339xxxx 7024-12361-365xxxx
M12 female connector, 8-pin, straight	7024-17061-312xxxx
M12 female connector with LED, 3-pin, angled	7024-12381-315xxxx
M12 female connector with LED, 4-pin, angled	7024-12421-321xxxx
M12 female connector with LED, 5-pin, angled	7024-12441-339xxxx 7024-12441-365xxxx
Connecting cable	Art. No.
M12 male connector, straight - M12 female connector, straight, 3-pin	7024-40001-315xxxx
M12 male connector, straight - M12 female connector, straight, 4-pin	7024-40021-321xxxx
M12 male connector, straight - M12 female connector, straight, 5-pin	7024-40041-339xxxx 7024-40041-365xxxx
M12 male connector, straight - M12 female connector, straight, 8-pin	7024-48001-312xxxx
M12 male connector, straight - M12 female connector, angled, 3-pin	7024-40101-315xxxx
M12 male connector, straight - M12 female connector, angled, 4-pin	7024-40121-321xxxx
M12 male connector, straight - M12 female connector, angled, 5-pin	7024-40141-339xxxx 7024-40141-365xxxx
M12 male connector, straight - M12 female connector, angled, 8-pin	7024-48011-312xxxx
M12 male connector, angled - M12 female connector, straight, 3-pin	7024-40171-315xxxx
M12 male connector, angled - M12 female connector, straight, 4-pin	7024-40201-321xxxx
M12 male connector, angled - M12 female connector, straight, 5-pin	7024-40221-339xxxx 7024-40221-365xxxx
M12 male connector, angled - M12 female connector, straight, 8-pin	7024-48031-312xxxx
M12 male connector, angled - M12 female connector, angled, 3-pin	7024-40241-315xxxx
M12 male connector, angled - M12 female connector, angled, 4-pin	7024-40261-321xxxx
M12 male connector, angled - M12 female connector, angled, 5-pin	7024-40281-339xxxx 7024-40281-365xxxx
M12 male connector, angled - M12 female connector, angled, 8-pin	7024-48021-312xxxx
M12 male connector, straight - M12 female connector, angled, 3-pin, with LED	7024-40321-315xxxx
M12 male connector, straight - M12 female connector, angled, 4-pin, with LED	7024-40341-321xxxx
M12 male connector, straight - M12 female connector, angled, 5-pin, with LED	7024-40361-339xxxx 7024-40361-365xxxx
M12 male connector, angled - M12 female connector, angled, 3-pin, with LED	7024-40401-315xxxx
M12 male connector, angled - M12 female connector, angled, 4-pin, with LED	7024-40421-321xxxx
M12 male connector, angled - M12 female connector, angled, 5-pin, with LED	7024-40441-339xxxx 7024-40441-365xxxx

Cube

Description	Art. No.
M12 male connector, 6-pin, termination	7024-15041-0000000
M12 male connector, straight - M12 female connector, straight, 6-pin Shielded	7024-46041-523xxxx

Shielded

Free conductor end	Art. No.
M12 male connector, 3-pin, straight	7024-13061-370xxxx
M12 male connector, 4-pin, straight	7024-13081-371xxxx
M12 male connector, 5-pin, straight	7024-13101-372xxxx 7024-13081-400xxxx
M12 male connector, 3-pin, angled	7024-13081-370xxxx
M12 male connector, 4-pin, angled	7024-13141-371xxxx
M12 male connector, 5-pin, angled	7024-13161-372xxxx 7024-13161-400xxxx
M12 female connector, 3-pin, straight	7024-13181-370xxxx
M12 female connector, 4-pin, straight	7024-13201-371xxxx
M12 female connector, 5-pin, straight	7024-13221-372xxxx 7024-13221-400xxxx
M12 female connector, 3-pin, angled	7024-13241-370xxxx
M12 female connector, 4-pin, angled	7024-13261-371xxxx
M12 female connector, 5-pin, angled	7024-13281-372xxxx 7024-13081-400xxxx
Connecting cable	Art. No.
M12 male connector, straight - M12 female connector, straight, 3-pin	7024-40481-370xxxx
M12 male connector, straight - M12 female connector, straight, 4-pin	7024-40501-371xxxx
M12 male connector, straight - M12 female connector, straight, 5-pin	7024-40521-372xxxx 7024-40521-400xxxx
M12 male connector, straight - M12 female connector, angled, 3-pin	7024-40545-370xxxx
M12 male connector, straight - M12 female connector, angled, 4-pin	7024-40511-371xxxx
M12 male connector, straight - M12 female connector, angled, 5-pin	7024-40541-372xxxx 7024-40541-400xxxx
M12 male connector, angled - M12 female connector, straight, 3-pin	7024-40475-370xxxx
M12 male connector, angled - M12 female connector, straight, 4-pin	7024-40211-371xxxx
M12 male connector, angled - M12 female connector, straight, 5-pin	7024-40471-372xxxx 7024-40471-400xxxx
M12 male connector, angled - M12 female connector, 3-pin, angled	7024-40495-370xxxx
M12 male connector, angled - M12 female connector, straight, 4-pin	7024-40491-371xxxx
M12 male connector, angled - M12 female connector, straight, 5-pin	7024-40451-372xxxx 7024-40451-400xxxx

Flange

Description	Art. No.
M12 male connector, 4-pin, front wall mounting	7024-13501-971xxxx
M12 male connector, 5-pin, front wall mounting	7024-13521-972xxxx 7024-13521-975xxxx
M12 male connector, 8-pin, front wall mounting	7024-13501-971xxxx
M12 female connector, 4-pin, front wall mounting	7024-13541-971xxxx
M12 female connector, 5-pin, front wall mounting	7024-13561-972xxxx 7024-13561-975xxxx
M12 female connector, 8-pin, front wall mounting	7024-13181-973xxxx